

SCRANTON

3015-AGB

Inspired by the shape of an apple, Scranton features a softly defined outer layer of etched glass and a narrow 'core' of glossy opal glass within. The freshness of the organic silhouette, paired with the sleek glass layers and metal accents, makes it perfect for a dining room or kitchen. Scranton is available in two sizes and two finishes, Aged Brass and Old Bronze.

FINISHES

AGED BRASS

DIMENSIONS / SPECS

Height: 14.25"
Width/Diameter: 15"
Minimum Height: 19.25"
Maximum Height: 73"
Canopy/Backplate: 6"
Hanging Type: 1-3" / 1-6" / 1-12" / 2-18" Stems
Product Weight: 11.22lb
Canopy/Backplate Shape: Round
Sloped Ceiling Compatible: Yes
Living Finish: No
Uplight Only: No

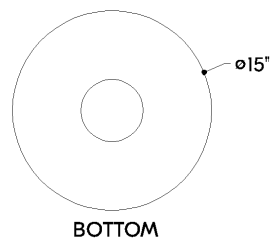
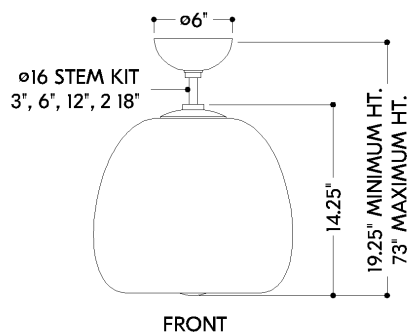
Shade 1: Glass
Shade 1 Finish: Clear Etched
Shade 1 Top Width: 15"
Shade 1 Bottom L/W: 0" / 15"
Shade 1 Height: 13.5"
Shade 2: Glass
Shade 2 Finish: Opal Glossy
Shade 2 Top Width: 4"
Shade 2 Height: 12.25"

ELECTRICAL



Bulb 1

Bulb Included: N/A
Socket: Integrated LED
Max Wattage: 20
Bulb Quantity: 1
Wire Length: 120"
Cord Type: B & W TEFLON W/ GROUND WIRE
Dimmer Type: ELV, TRIAC
Gem Box Required (2"x3"): No
Dark Sky: No
CRI: 90
Color Temp.: 2700k
Lumens: 1575
Title 24: No
Field Serviceable: No



SHIPPING

Carton 1: 24" x 24" x 28"
Carton 1 Weight: 19lb
Shipping Method: Ground
Country of Origin: VN