

ARES

458-01-VB

Reminiscent of a dangling jewelry charm, Ares lends an otherworldly beauty to modern interiors. When illuminated, the central LED-lit ice onyx lens glows with a mesmerizing mother-of-pearl-like iridescence. Subtle details, from the stone finial detail to the ribbed metalwork, contribute to the artisanal feel of this wall light. Finished in warm Vintage Brass, Ares adds a note of luxury to a hallway, powder room, or bedside.

*Due to the one-of-a-kind nature of the medium, exact colors and patterns may vary slightly from the image shown.

FINISHES

VINTAGE BRASS

DIMENSIONS

Height: 16.75"
Width/Diameter: 9.75"
Canopy/Backplate: 5"
Product Weight: 10.36lb
Extension: 4.5"
Top to Center: 2.5"
Canopy/Backplate Shape: Round
Sloped Ceiling Compatible: No
Living Finish: Yes
Uplight Only: No

Shade

Shade 1: Natural Stone
Shade 1 Finish: Ice Onyx
Shade 1 Top Width: 9.5"
Shade 1 Height: 2.25"

ELECTRICAL

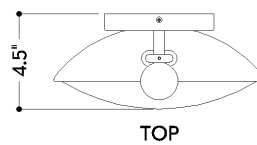


Bulb 1

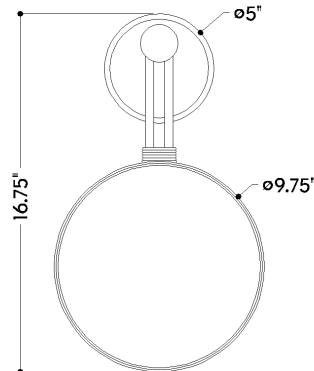
Bulb Included: N/A
Socket: Integrated LED
Max Wattage: 16
Bulb Quantity: 1
Wire Length: 7"
Cord Type: B & W TEFLON W/ GROUND WIRE
Dimmer Type: ELV, TRIAC
Gem Box Required (2"x3"): No
Dark Sky: No
CRI: 90
Color Temp.: 2700k
Lumens: 275
Title 24: No
Field Serviceable: No

SHIPPING

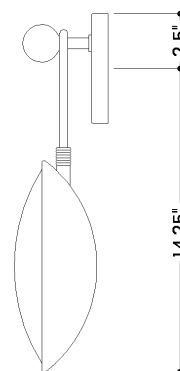
Carton 1: 21" x 15" x 11"
Carton 1 Weight: 14lb
Shipping Method: Ground
Country of Origin: VN



TOP



SIDE



FRONT