

MAYNARD

8145-AGB

Machine precision and slim LED profiles provide a sleek update to an iconic mid-century silhouette. Glass ornaments, hand-blown from either seedy opal glass or seedy etched glass, stack in totemic formations along the slim arms of this chandelier. An Aged Brass finish elevates the fixture, balancing the playfulness with a note of luxury. Maynard is available as an 8, 12-light chandelier, 6-light linear, or a 3-light sconce.

FINISHES

AGED BRASS

Coastal Suitable Finish (EPM): No

DIMENSIONS

Height: 32"

Width/Diameter: 44.5"

Minimum Height: 39.5"

Maximum Height: 78.5"

Canopy/Backplate: 6"

Hanging Type: 1-3" / 1-6" / 1-12" / 2-18" Stems

Product Weight: 45.82lb

Canopy/Backplate Shape: Round

Sloped Ceiling Compatible: No

Living Finish: No

Uplight Only: No

Shade

Shade 1: Glass

Shade 1 Finish: Opal Seedy

Shade 1 Top Width: 6.5"

Shade 1 Height: 1.5"

Shade 2: Glass

Shade 2 Finish: Seeded Cast

Shade 2 Top Width: 4.75"

Shade 2 Height: 1.25"

ELECTRICAL



Bulb 1

Bulb Included: N/A

Socket: Integrated LED

Max Wattage: 46

Bulb Quantity: 12

Wire Length: 120"

Cord Type: B & W TEFLON W/ GROUND WIRE

Dimmer Type: ELV, TRIAC, 0-10 VOLT

Gem Box Required (2"x3"): No

Dark Sky: No

CRI: 90

Color Temp.: 2700k

Lumens: 1575

Title 24: No

Field Serviceable: No

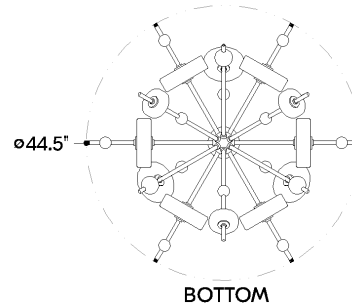
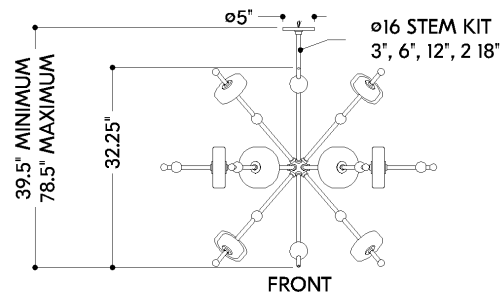
SHIPPING

Carton 1: 33" x 25" x 17"

Carton 1 Weight: 53lb

Shipping Method: Ground

Country of Origin: VN



HUDSON VALLEY
LIGHTING GROUP

| hvlgroup.com | 1.800.814.3993

MAYNARD

8145-AGB
