

# MOORE

9014-AGB

Moore stuns in its simplicity. Available in two sizes, this nested flush mount design features an outer clear glass shade that reveals alabaster within. The double layer gives the fixture an elevated, graceful presence that creates a warm diffusion of light. Finished in Aged Brass, the metalwork of Moore adds a timeless, luxurious note that complements any design style.

\*Due to the one-of-a-kind nature of the medium, exact colors and patterns may vary slightly from the image shown.

## FINISHES

AGED BRASS

## DIMENSIONS

Height: 10"  
Width/Diameter: 12"  
Minimum Height: 14.25"  
Maximum Height: 66.25"  
Canopy/Backplate: 6"  
Hanging Type: 54" Chain  
Product Weight: 7.5lb  
Canopy/Backplate Shape: Round  
Sloped Ceiling Compatible: Yes  
Living Finish: No  
Uplight Only: No

## Shade

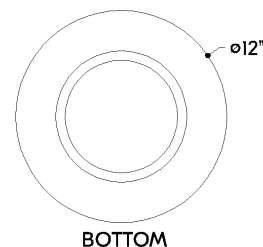
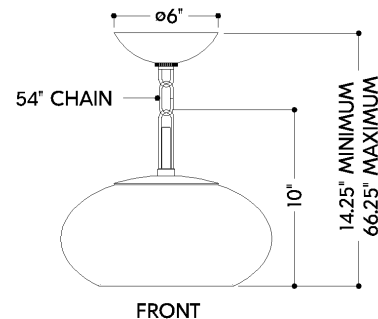
Shade 1: Glass  
Shade 1 Finish: Clear  
Shade 1 Top Width: 12"  
Shade 1 Height: 5.75"  
Shade 2: Natural Stone  
Shade 2 Finish: Alabaster  
Shade 2 Top Width: 6.5"  
Shade 2 Height: 2.75"

## ELECTRICAL



### Bulb 1

Bulb Included: N/A  
Socket: Integrated LED  
Max Wattage: 10  
Bulb Quantity: 1  
Wire Length: 120"  
Cord Type: SPT-1 SILVER W/ TINNED GROUND WIRE  
Dimmer Type: ELV, TRIAC  
Gem Box Required (2"x3"): No  
Dark Sky: No  
CRI: 90  
Color Temp.: 2700k  
Lumens: 525  
Title 24: No  
Field Serviceable: Yes



# MOORE

9014-AGB

---

## SHIPPING

---

Carton 1: 12" x 16" x 15"  
Carton 1 Weight: 12lb  
Shipping Method: Ground  
Country of Origin: VN