

# ECO-DOWNLIGHT

ECO™ Essentials by CSL is a system of recessed downlights that offer a versatile LED solution for general, task, or accent lighting. ECO™ Recessed Downlights provide quality light, with minimal glare and maximum control, offering up to 1100 delivered lumens from a 3" aperture. CSL uses the highest quality 90+ CRI, 2-Step SDCM LED chips powered by a high-performance TRIAC, ELV, 120V/277V dimming driver.

## FINISHES

MATTE BLACK

## DIMENSIONS

Height: 2.5"  
Width/Diameter: 8.63"  
Length: 12.63"  
Hanging Type: Recessed  
Product Weight: 4.55lb  
Sloped Ceiling Compatible: No  
Living Finish: No  
Uplight Only: No

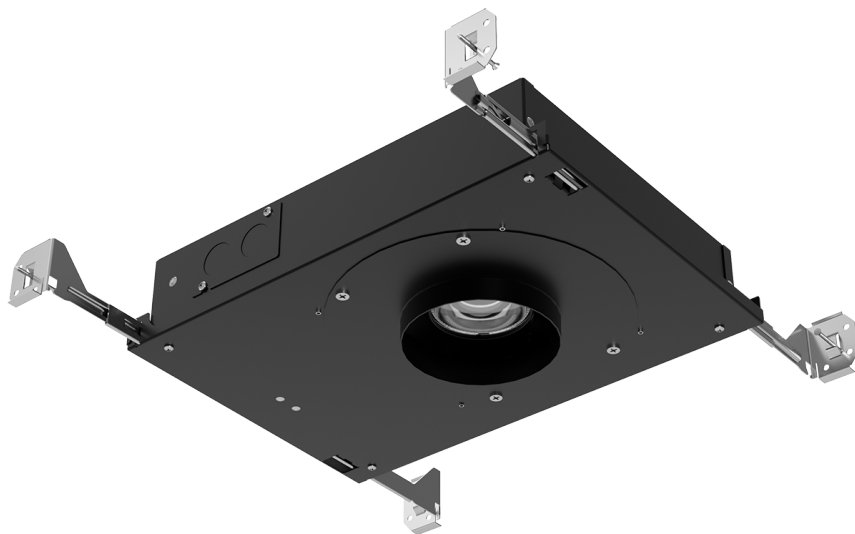
## Shade

## ELECTRICAL



### Bulb 1

Bulb Included: N/A  
Socket: Integrated LED  
Max Wattage: 12  
Bulb Quantity: 1  
Dimmer Type: ELV, TRIAC, 0-10 VOLT  
Gem Box Required (2"x3"): No  
Dark Sky: No  
CRI: 90  
Color Temp.: 2700k  
Lumens: 1220  
Title 24: Yes  
Field Serviceable: Yes



## SHIPPING

Carton 1: 16" x 11" x 4"  
Carton 1 Weight: 6lb  
Shipping Method: Ground  
Country of Origin: HK