

# ATALA

H915101-AGB

Atala leans wholeheartedly into the mushroom trend with its elongated arm and large dome shade. The graceful curve upwards seems to exude confidence as the fixture emits an inviting glow. Distinctive jewelry-like clasps support the shade while adding decorative flair. Perfect in a vanity setting, this stylish sconce is available in an Aged Brass or True Bronze finish.

## FINISHES

AGED BRASS

## DIMENSIONS

Height: 17.75"  
Width/Diameter: 9.75"  
Canopy/Backplate: 4.75"  
Product Weight: 3.74lb  
Extension: 11"  
Top to Center: 15.5"  
Canopy/Backplate Shape: Round  
Sloped Ceiling Compatible: No  
Living Finish: No  
Uplight Only: Yes

## Shade

Shade 1: Glass  
Shade 1 Finish: Cloud Etched Inside  
Shade 1 Bottom L/W: 0" / 9.75"  
Shade 1 Height: 5"

## ELECTRICAL

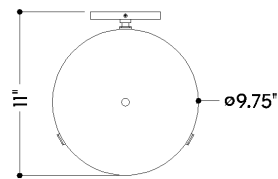


### Bulb 1

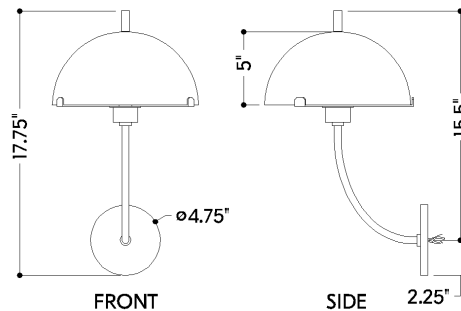
Bulb Included: No  
Socket: E26 Medium Base  
Bulb Type: A15  
Max Wattage: 8  
Bulb Quantity: 1  
Wire Length: 7"  
Cord Type: B & W TEFLON W/ GROUND WIRE  
Gem Box Required (2"x3"): No  
Dark Sky: No

## SHIPPING

Carton 1: 17" x 13" x 17"  
Carton 1 Weight: 7lb  
Shipping Method: Ground  
Country of Origin: VN



TOP



FRONT

SIDE