

PAINTED NO. 2

MDS351-PN/SSG

Tried-and-true, Painted No. 2 has an effortless look that is the result of careful consideration. A relaxed form with timeless style, it is now available in even more beautiful finish options that give it a renewed sense of freshness. Its classic heritage feel is reflected across all formats, including a sconce and pendant in three sizes.

FINISHES

POLISHED NICKEL w/ SOFT STUDIO GREEN

DIMENSIONS / SPECS

Height: 9.25"
Width/Diameter: 9.5"
Minimum Height: 12.75"
Maximum Height: 65"
Canopy/Backplate: 5.25"
Hanging Type: 54" Chain
Product Weight: 4.18lb
Canopy/Backplate Shape: Round
Sloped Ceiling Compatible: Yes
Living Finish: No
Uplight Only: No

Shade 1: Metal
Shade 1 Top Width: 3.5"
Shade 1 Bottom L/W: 0" / 9.5"
Shade 1 Height: 4.5"

ELECTRICAL



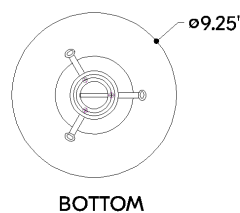
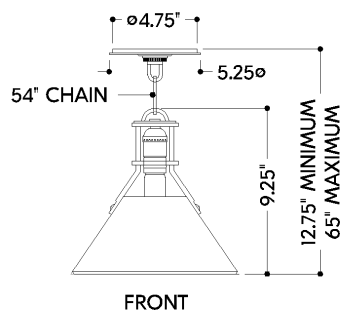
Bulb 1

Bulb Included: No
Socket: E26 Medium Base
Bulb Type: T10-5.5
Max Wattage: 8
Bulb Quantity: 1
Wire Length: 120"
Cord Type: SPT-1 SILVER W/ TINNED GROUND WIRE

Gem Box Required (2"x3"): No
Dark Sky: No

SHIPPING

Carton 1: 13" x 13" x 13"
Carton 1 Weight: 6lb
Shipping Method: Ground
Country of Origin: VN



HUDSON VALLEY
LIGHTING GROUP